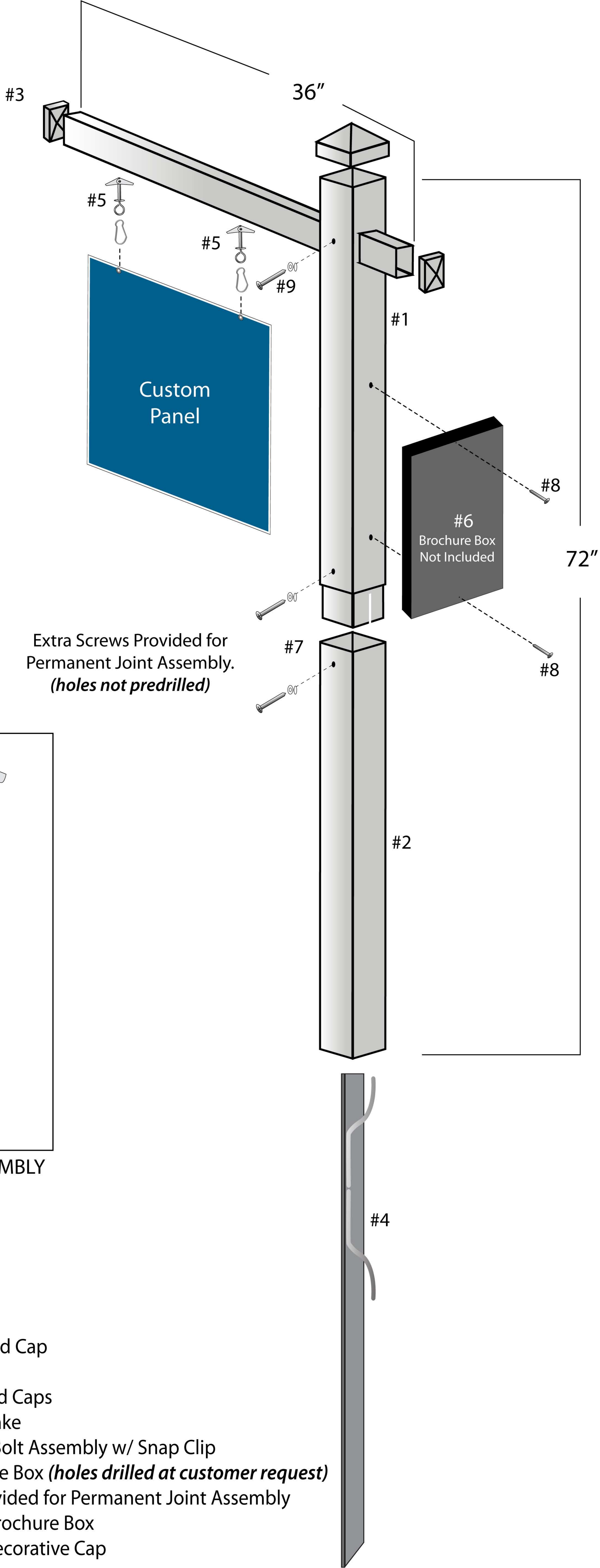
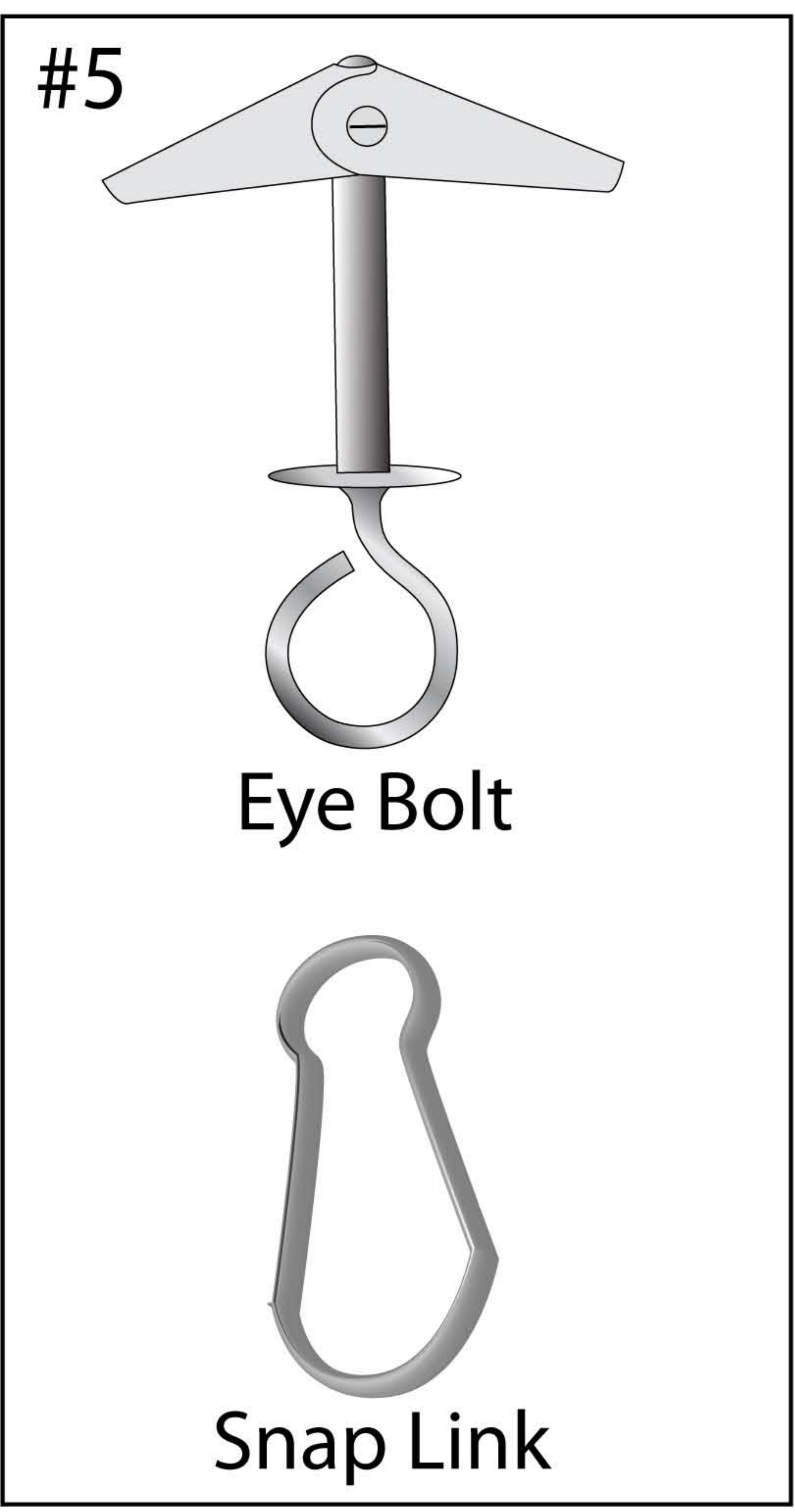


# CTS - 24



Extra Screws Provided for Permanent Joint Assembly.  
*(holes not predrilled)*



#5  
Eye Bolt  
Snap Link

## HEAVY DUTY ASSEMBLY

### Parts List:

- #1 Upper Post w/ End Cap
- #2 Lower Post
- #3 One Arm w/ 2 End Caps
- #4 Ground Metal Stake
- #5 Heavy Duty Eye Bolt Assembly w/ Snap Clip
- #6 Optional Brochure Box *(holes drilled at customer request)*
- #7 Extra Screws Provided for Permanent Joint Assembly
- #8 Two Screws for Brochure Box
- #9 Screw w/ White Decorative Cap